

GlucoTrack™

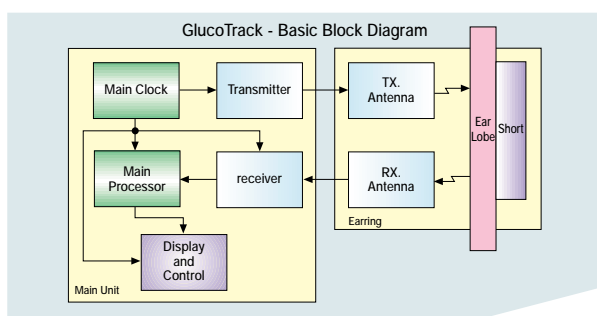
The ultimate Real Non-invasive Solution for glucose level monitoring!

GlucoTrack™ is intended for use by Type 1, Type 2, Pre-Diabetic, Gestation Diabetes, and persons with Impaired Glucose Tolerance (IGT). In order to achieve a high level of reliability, accuracy and repeatability of measurements, **GlucoTrack™** uses three independent technologies that are used simultaneously. The results are compared and averaged by an advanced, unique algorithm. Patents are pending for technologies combination including the algorithm in use. The combined result of the blood's glucose level is displayed on a digital screen. Using the three technologies, **GlucoTrack™** recalibrates itself frequently, so that the measurement's reliability is maintained.



GlucoTrack™ - Main Features

- Accurate, reliable and repeatable results
- Uses three different techniques simultaneously, to improve reading's reliability



- Long time intervals between calibrations
- Provides both discrete and continuous measurements
- Visual and audible alerts when a reading passes an individually set high/low level
- One **GlucoTrack™** device can serve up to 3 users with individual earrings
- Small size and weight. Can be carried like a cell phone
- Long-term storage of each user's results
- USB and Infra Red communication for back-up data storage
- User friendly: Easy to operate, easy-to-read measurements on a large LCD screen
- Complete set of data for each user (Name, Date, Time, Glucose level, indication of extreme levels)
- Low price!

It's about time to get rid of the inconvenience involved in conventional glucose monitoring!

GlucoTrack™ brings you a new era of real non-invasive measurement solution!



Integrity Applications is a young company that has invented and developed a unique, innovative device, for real non-invasive glucose level measurement and monitoring.

We believe in continuous innovation based on originality, non-conformity and unconventional concepts, all of which lead to unique solutions.

We believe that people make the difference (our people do, for sure!)

Integrity Applications' team is committed to:

- Fast response to customers and market's demands
- Continuous development of new products and upgrading current ones
- Follow up market needs and trends
- Act with integrity, honesty and credibility to customers, suppliers and colleagues

Integrity Applications was established in 2001, in order to focus on innovations, state of the art technologies and unique applications. Based on rich experience and highly recognized development skills, the company focuses on ultrasound technology as a major building block. We are capable of short terms development projects with relatively low budgets.



Integrity Applications Ltd.

Location: 22 He'Amal St., South Industrial Zone, Ashkelon. Mailing Address: P.O.Box 432 Ashkelon 78100 Israel

Phone: +972 (8) 671-2328 Fax: +972 (8) 678-0155 E-Mail: info@integrity-app.com Web site: www.integrity-app.com